

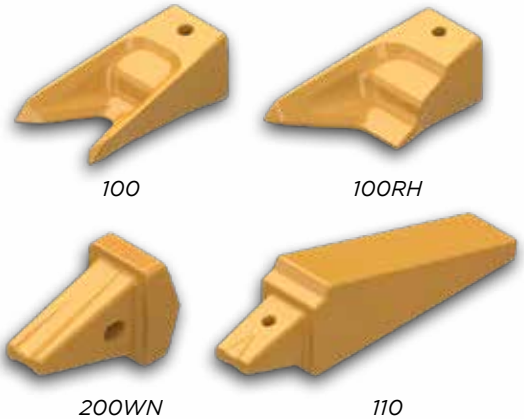


TEETH & ADAPTERS

for Adco®, Ateco®, Bobcat®, Champion®, JCB®, & Volvo® Replacement

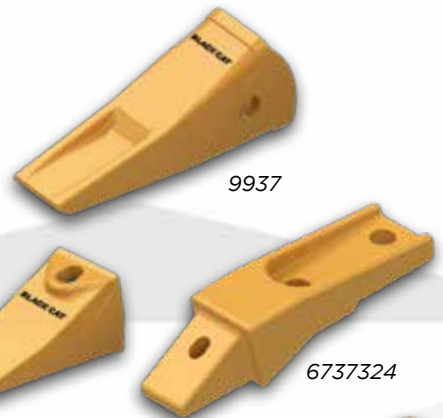
Adco

Part Number	Description	Weight	A	B	C
100	Center Tooth	3.0 lbs	2.25"	3.01"	5.88"
100 RH/LH	RH/LH Tooth	3.2 lbs	2.25"	3.00"	6.06"
110	Center Adapter	7.7 lbs	2.88"	2.19"	10.5"
110 RH/LH	RH/LH Tooth	6.1 lbs	3.50"	2.31"	11.06"
200	Center Tooth	5.6 lbs	3.00"	2.56"	7.27"
200 RH/LH	RH/LH Tooth	6.4 lbs	3.13"	2.57"	7.33"
210	Center Adapter	9.9 lbs	3.29"	2.37"	12.02"
210 RH/LH	Angled Adapter	11.9 lbs	4.85"	2.31"	13.02"
200WN	Weld On Nose	4.4 lbs	3.25"	2.50"	5.00"



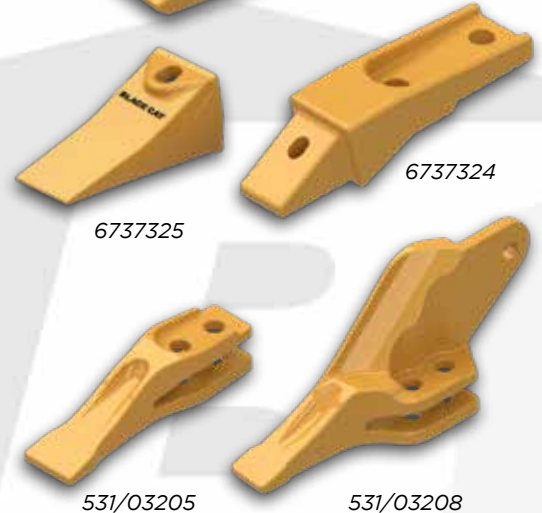
Ateco, Champion, Volvo

Part Number	Description	Weight	A	B	C
3-868 (Ateco) 9937 (Champion, Volvo)	Center Tooth	7.3 lbs	3.66"	2.62"	8.98"



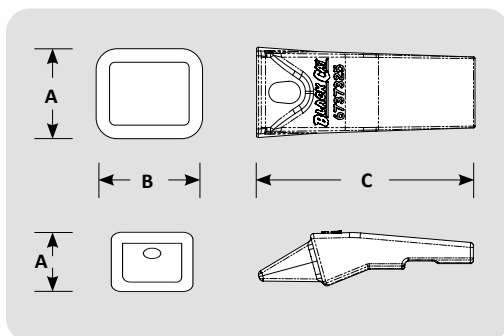
Bobcat

Part Number	Description	Weight	A	B	C
6737325	Tooth	2.2 lbs	2.36"	2.26"	5.47"
6737324	Adapter	5.1 lbs	2.13"	2.19"	8.57"



JCB

Part Number	Description	Weight	A	B	C
531/03205	JCB Unit tooth	6.0 lbs	1.97"	2.47"	9.78"
531/03208	JCB Corner Tooth / Sidecutter RH	11.7 lbs	2.00"	2.00"	14.45"
531/03209	JCB Corner Tooth / Sidecutter LH				



Quality wear parts every time.

- HighSpec Alloy heat treated steel.
- Computer design ensures proper fitment and optimum strength.
- Efficient processes and "state of the art" foundry.
- Metallurgical staff and testing facilities ensures consistency.