



# RV Heel Shroud System



**REVOLUTION**  
BLACK CAT HAMMERLESS PATENTED TECHNOLOGY



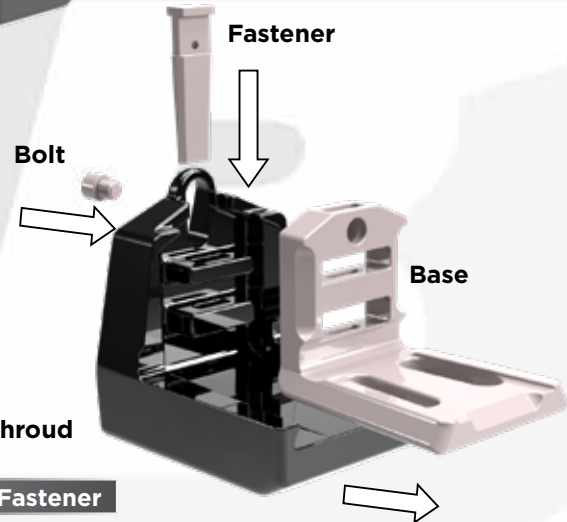
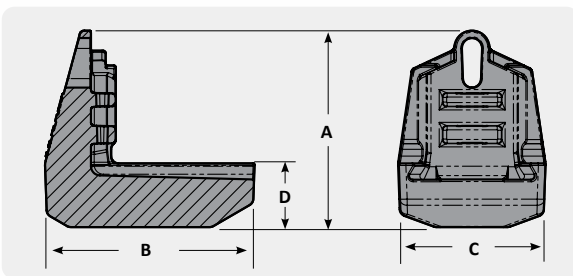
RVHS50-180



RVHS40-120



RVHS20-45



Family	Mechanical Shroud	Weight	A	B	C	D	Base	Fastener
20	RVHS20-45	44 lbs	8.3"	8.8"	6.2"	2.7"	RVHS20B	RVHS20P
30	RVHS30-75	75 lbs	9.9"	10.6"	7.5"	3.2"	RVHS30B	RVHS30P
40	RVHS40-120	119 lbs	11.6"	12.4"	8.7"	3.7"	RVHS40B	RVHS40P
50	RVHS50-180	168 lbs	11.9"	14.2"	10.0"	4.3"	RVHS50B	RVHS50P