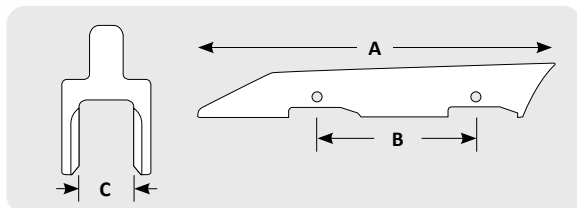
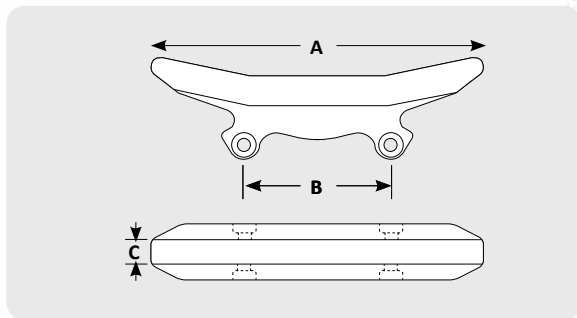




SIDEBAR PROTECTORS



Black Cat Sidebar Protectors for Caterpillar® Applications

Part #	Description	Pin	Retainer	Weight	A	B	C	Shear Block
1358246	Side Protectors - Pin On	1359292	1140359	24.0 lbs	18.19"	9.38"	1.13"	-
3295958		2755982	1320999	39.1 lbs	19.19"	7.87"	1.30"	3302174
1122489		1122490	1320999	40.0 lbs	17.13"	7.94"	1.38"	3302174
3263407		1320998	1320999	37.4 lbs	19.38"	7.87"	1.50"	3302174
9J9600		1359350	1140359	44.5 lbs	22.69"	10.00"	1.50"	-
1662877		1320998	1320999	40.5 lbs	18.13"	7.88"	1.56"	3302174
1122494		1320998	1320999	77.3 lbs	37.00"	20.56"	1.63"	-
3295955		1321008	1320999	44.1 lbs	19.40"	7.87"	2.13"	3302174
1U0740		1U0739	8E5559	55.6 lbs	23.81"	11.50"	2.13"	-
1U0740HD		1U0739	8E5559	67.2 lbs	23.81"	11.50"	2.13"	-
3295957		3572689	1320999	71.4 lbs	26.09"	11.81"	2.55"	-
1250800		8E4708	4T4707	121.6 lbs	40.00"	23.63"	2.75"	-

* Weld in adapter plates are available for all Cat sidebar protectors

Black Cat Sidebar Protectors for Hensley® Applications

Part #	Description	Pin	Retainer	Weight	A	B	C
VS40	Side Protectors - Bolt On	1X4-1/2 Plow Bolt	Cone nut	48.0 lbs	17.33"	7.20"	3.62"
VS50		1X5 Plow Bolt	Cone nut	85.1 lbs	21.62"	9.09"	4.09"
VS450	Side Protectors - Pin On	VSP2-SL	VSR3-SL	43.7 lbs	30.34"	13.50"	N/A
VS500		VSP3-SL	VSR3-SL	67.5 lbs	32.88"	16.00"	N/A
VS550		VSP3-SL	VSR3-SL	86.6 lbs	35.75"	17.13"	N/A
VS450EXT	Side Protectors - Pin On Extension	VSP2-SL	VSR3-SL	27.3 lbs	21.04"	N/A	-
VSMWN	Side Protectors - Mount	N/A	N/A	4.7 lbs	-	-	N/A
VSM100WN		N/A	N/A	11.4 lbs	-	-	1.06"
VSM125WN		N/A	N/A	11.1 lbs	-	-	1.31"
VSM150WN		N/A	N/A	12.9 lbs	-	-	1.56"
VSM175WN		N/A	N/A	12.1 lbs	-	-	1.84"
VSM200WN		N/A	N/A	11.1 lbs	-	-	2.06"
VSM250WN		N/A	N/A	13.2 lbs	-	-	2.56"

www.blackcatwearparts.com sales@blackcatwearparts.com Toll Free: 1.800.661.6666 T: 780.465.6666 F: 780.465.9595

Caterpillar® and other identities and/or trademarks referred to in this publication are the registered marks of the entities noted herein. The use of any trademarks of others than Black Cat Wear Parts Ltd. are solely and exclusively for identification, informational, comparative, and descriptive purposes. Black Cat Wear Parts Ltd. is not affiliated with any owner of such registered marks and does not make, use, or sell any products manufactured by any such entity identified in this publication.