

CABLE SHOVEL SYSTEMS



REVOLUTION
BLACK CAT HAMMERLESS PATENTED TECHNOLOGY

Lip Shroud



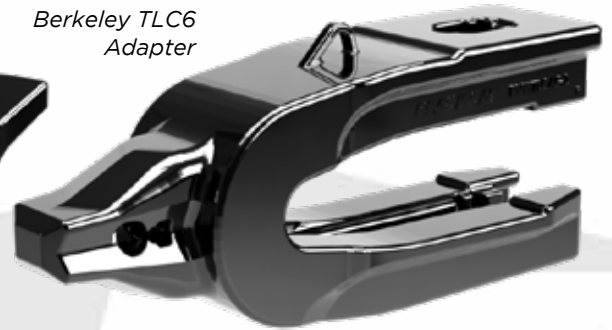
Whisler 12 Adapter



RS Tooth



Berkeley TLC6 Adapter



VT Tooth



- **Fully Hammerless System**
- **Easy to Install and Remove**
- **Fully Stabilized Adapter Nose and Tooth Pocket**
- **Self Cleaning Tooth Pin for Ease of Removal**
- **Positive Pressure Retainer Maintains Tight Fit**

Retainer & Wedge



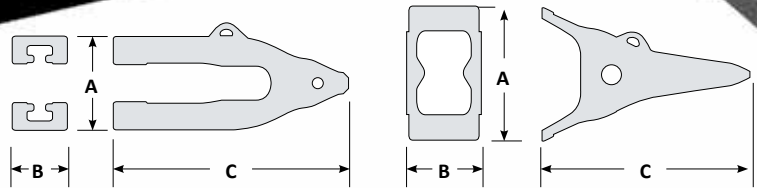
Insert Lock into Cavity of Adapter Nose



Fit Tooth on Fully Stabilized Adapter Nose



Insert Helical Pin and Rotate 180 degrees with Socket Wrench to Engage Lock



Adapter

Part Number	Description	Weight	A	B	C
RVW10	Whisler 10	852 lbs	17.00"	10.00"	42.06"
RVW12	Whisler 12	834 lbs	17.00"	10.00"	43.50"
RVWTLC6	Berkeley TLC 6.00	924 lbs	17.38"	11.38"	43.75"

Teeth

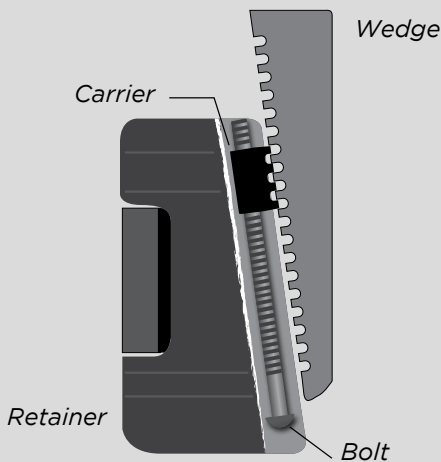
Part Number	Description	Weight	A	B	C
RVW1012RS	RS profile	274 lbs	18.60"	11.00"	28.19"
RVW1012VT	VT profile	294 lbs	18.60"	11.00"	29.50"

Shrouds

Part Number	Description	Weight	A	B	C
RVWS1100PH10	P&H Whisler 10	258 lbs	10.97"	11.00"	31.00"
RVWS1100PH12	P&H Whisler 12	287 lbs	12.38"	11.00"	27.12"
RVWS1000TLC6	Berkeley TLC 6.00	202 lbs	10.98"	10.14"	23.88"
E004381-06S	Bucyrus 295	238 lbs	10.97"	8.75"	30.25"

Teeth and Adapters

- Fully Stabilized Nose & Pocket absorbs Force from all angles
- Tapered Helical Pin is inserted & removed easily with Socket Wrench
- Tooth Extends over adapter top & bottom to protect High Stress areas from wear
- Self Sharpening Center Rib Tooth



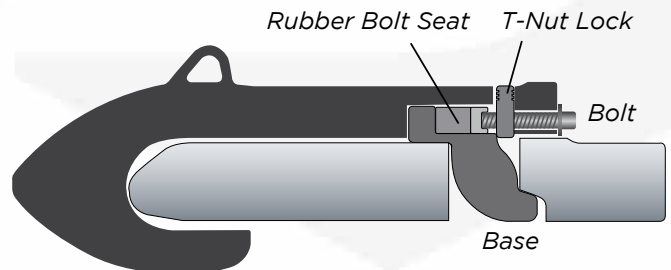
Wedge and Retainer System

- Retainer is inserted into the lip
- Adapter slides over the lip and Retainer
- Wedge is inserted by hand
- Tightening of the screw moves carrier down engaging teeth on Wedge
- Wedge is pulled downward, compressing rubber on Retainer forcing the adapter rearward on the lip
- Matching serrations on Wedge and Retainer eliminate wedge travel under load



RVS Lip Shroud

- Base fits into Lip Opening
- Rubber Bolt Seat is inserted in Base
- Shroud slides over Lip and Base
- T-Nut Lock is inserted in Shroud
- Securing bolt is tightened with socket wrench
- Bolt Seat compresses to provide tension against lock, keeping the system tight



www.blackcatwearparts.com sales@blackcatwearparts.com Toll Free: 1.800.661.6666 T: 780.465.6666 F: 780.465.9595

Caterpillar® and other identities and/or trademarks referred to in this publication are the registered marks of the entities noted herein. The use of any trademarks of others than Black Cat Wear Parts Ltd. are solely and exclusively for identification, informational, comparative, and descriptive purposes. Black Cat Wear Parts Ltd. is not affiliated with any owner of such registered marks and does not make, use, or sell any products manufactured by any such entity identified in this publication.

815.0621