

### Lip Shrouds

Series	Center	LH	RH	Ship Weight	Fits thickness	Length	Bevel °	Spade >	Eqpt.	Base	Rubber Bolt Seat	T-Nut Lock	Bolt
200	RVS200C1350	RVS200L1350	RVS200R1350	142.2 lbs	2.00"	13.50"	30°	12	Loader	RVS7B	RVS1BL	RVS7LP	RVS1B
250	RVS250C1500-22	RVS250L1500-22	RVS250R1500-22	165.4 lbs	2.50"	15.00"	22.5°	15	Loader	RVS7B	RVS1BL	RVS7LP	RVS1B
275	RVS275C0950	RVS275L0950	RVS275R0950	112.8 lbs	2.75"	9.50"	30°	12	Excavator	RVS7B	RVS1BL	RVS7LP	RVS1B
	RVS275C1625	RVS275L1625	RVS275R1625	199.9 lbs	2.75"	16.25"	30°	12	Loader				
	RVS275C1775	RVS275L1775	RVS275R1775	220.3 lbs	2.75"	17.75"	30°	12	Loader				
	RVS275C2000-22	RVS275L2000-22	RVS275R2000-22	203.3 lbs	2.75"	20.00"	22.5°	15	Loader				
300	RVS300C1200	RVS300L1200	RVS300R1200	147.6 lbs	3.00"	12.00"	30°	12	Excavator	RVS7B	RVS1BL	RVS7LP	RVS1B
	RVS300C1700	RVS300L1700	RVS300R1700	252.5 lbs	3.00"	17.00"	30°	12	Loader				
	RVS300C1700-22	RVS300L1700-22	RVS300R1700-22	188.7 lbs	3.00"	17.00"	22.5°	15	Loader				
350	RVS350C0950	RVS350L0950	RVS350R0950	113.5 lbs	3.50"	9.50"	30°	12	Excavator	RVS9B	RVWSBL	RVWSLP10	RVWSB2
	RVS350C1250	RVS350L1250	RVS350R1250	147.4 lbs	3.50"	12.50"	30°	12	Excavator				
400	RVS400C1150	RVS400L1150	RVS400R1150	221.5 lbs	4.00"	11.50"	30°	12	Excavator	RVS9B	RVWSBL	RVWSLP10	RVWSB2
	RVS400C1350	RVS400L1350	RVS400R1350	237.4 lbs	4.00"	13.50"	30°	12	Excavator				
	RVS400C1650	RVS400L1650	RVS400R1650	312.9 lbs	4.00"	16.50"	30°	15	Excavator				
475	RVS475C1300	RVS475L1300	RVS475R1300	251.4 lbs	4.75"	13.00"	30°	12	Excavator	RVS9B	RVWSBL	RVWSLP10	RVWSB2
	RVS475C1500	RVS475L1500	RVS475R1500	276.5 lbs	4.75"	15.00"	30°	12	Excavator				
	RVS475C1600	RVS475L1600	RVS475R1600	291.3 lbs	4.75"	16.00"	30°	12	Excavator				
	RVS475C1725	RVS475L1725	RVS475R1725	307.5 lbs	4.75"	17.25"	30°	12	Excavator				
550	RVS550C1650	RVS550L1650	RVS550R1650	325.8 lbs	5.50"	16.50"	30°	11.5	Excavator	RVS9B	RVWSBL	RVWSLP10	RVWSB2
	RVS550C1825	RVS550L1825	RVS550R1825	348.8 lbs	5.50"	18.25"	30°	11.5	Excavator				
	-	RVS550L2250	RVS550R2250	463.0 lbs	5.50"	22.50"	30°	11.5	Excavator				

280.0420

SHROUDS - REVOLUTION

www.blackcatwearparts.com sales@blackcatwearparts.com Toll Free: 1.800.661.6666 T: 780.465.6666 F: 780.465.9595

Caterpillar® and other identities and/or trademarks referred to in this publication are the registered marks of the entities noted herein. The use of any trademarks of others than Black Cat Blades Ltd. are solely and exclusively for identification, informational, comparative, and descriptive purposes. Black Cat Blades Ltd. is not affiliated with any owner of such registered marks and does not make, use, or sell any products manufactured by any such entity identified in this publication.



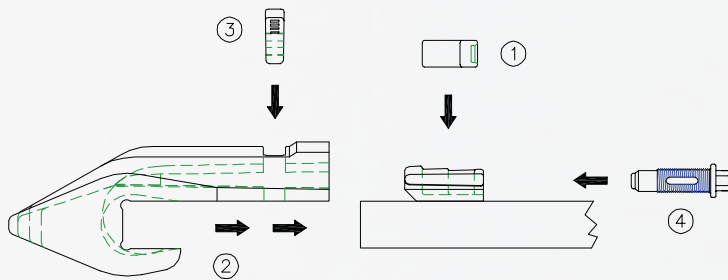
## Vertical Shrouds

Series	Center	LH	RH	Ship Weight	Fits thickness	Length	Base	Rubber Bolt Seat	T-Nut Lock	Bolt
100	RVS100V2370	-	-	31.5 lbs	1.00"	23.75"	RVS5B	RVS34BL	RVS34LP	RVS34B
	RVS100V2370R64	*Curved for material handling buckets		31.5 lbs	1.00"	23.75"				
150	RVS150V1200	-	-	33.1 lbs	1.50"	12.00"	RVS5B	RVS34BL	RVS34LP	RVS34B
	RVS150V1600	-	-	44.1 lbs	1.50"	16.00"				
200	RVS200V1800	-	-	89.5 lbs	2.00"	18.00"	RVS7B	RVS1BL	RVS7LP	RVS1B
250	RVS250V1800	-	-	98.8 lbs	2.50"	18.00"	RVS7B	RVS1BL	RVS7LP	RVS1B
300	RVS300V2000	-	-	189.6 lbs	3.00"	20.00"	RVS9B	RVWSBL	RVWVSLP10	RVWSB2
350	RVS350V3000	-	-	418.4 lbs	3.50"	30.00"				
500	RVS550V3200	-	-	541 lbs	5.50"	32.00"				

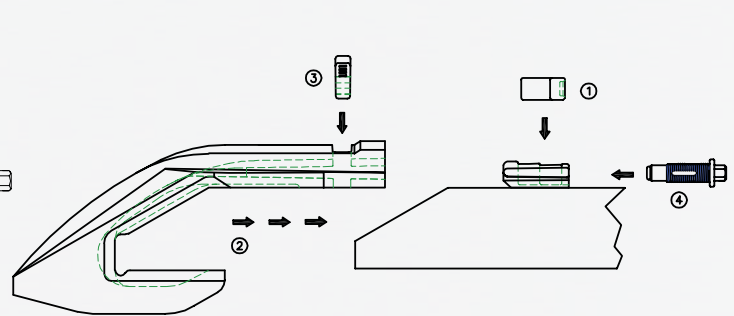
## Lower Vertical Shrouds

Series	Center	LH	RH	Ship Weight	Fits thickness	Length	Base	Rubber Bolt Seat	T-Nut Lock	Bolt
200	-	RVSLW200L	RVSLW200R	95.1 lbs	2.00"	10.06"	RVS7B	RVS1BL	RVS7LP	RVS1B
250	-	RVSLW250L	RVSLW250R	102.5 lbs	2.50"	10.35"	RVS7B	RVS1BL	RVS7LP	RVS1B
300	-	RVSLW300L	RVSLW300R	214 lbs	3.00"	13.10"	RVS9B	RVWSBL	RVWVSLP10	RVWSB2
350	-	RVSLW350L	RVSLW350R	266.8 lbs	3.50"	14.16"	RVS9B	RVWSBL	RVWVSLP10	RVWSB2
550	-	RVSLW550L	RVSLW550R	342 lbs	5.50"	12.11"	RVSI3B	RVSI75BL	RVSI1LP	RVSI75B

### ● RVS Vertical Shrouds Installation



### ● RVS Lip Shrouds Installation



#### Steps:

1. Insert the rubber / steel lock into the base cavity.
2. Slide the shroud over the base / Lock assembly.
3. Insert the locking plate through the slot in the shroud.
4. Insert and tighten the bolt through the locking plate.

*Tighten to approximately 150 foot pounds. Do not overtighten.*