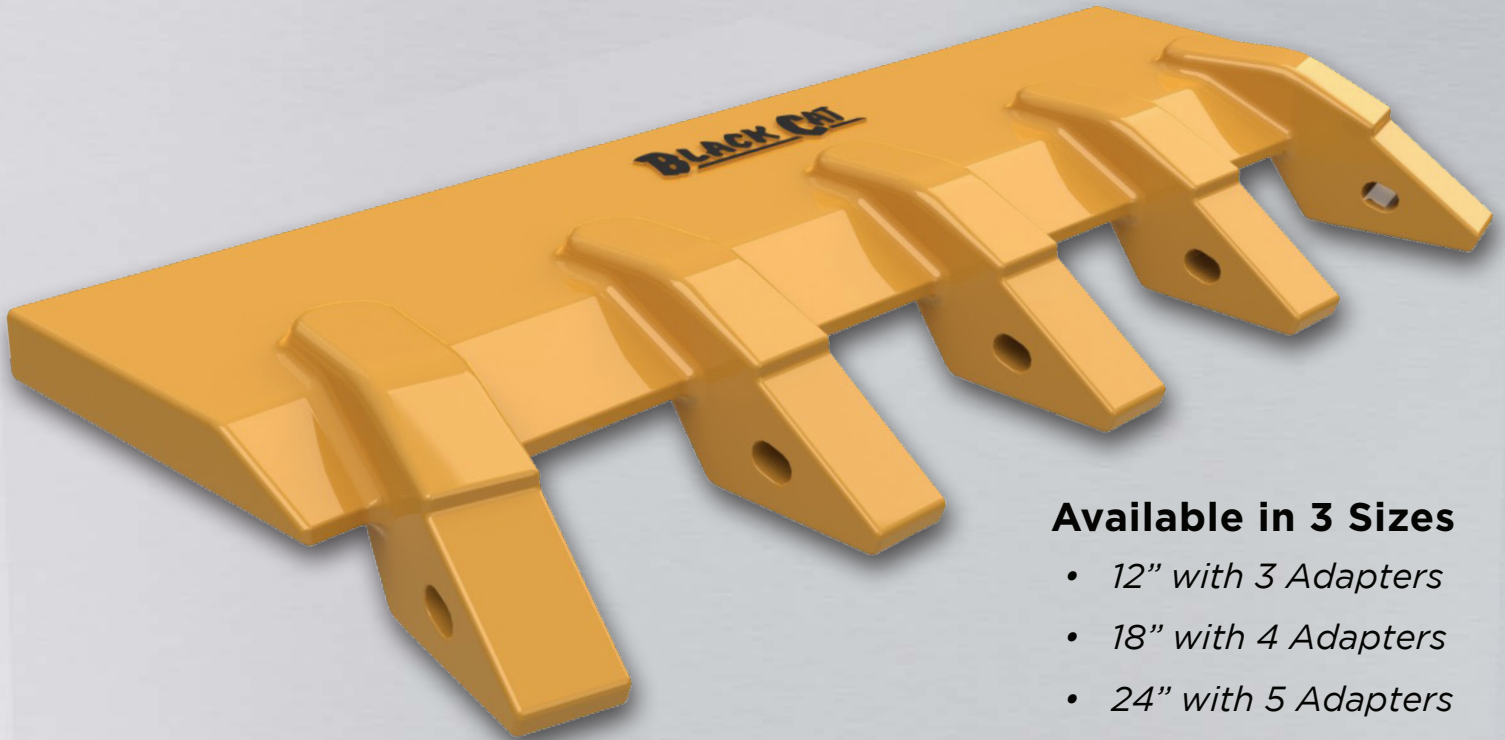




BLACK CAT
WEAR PARTS

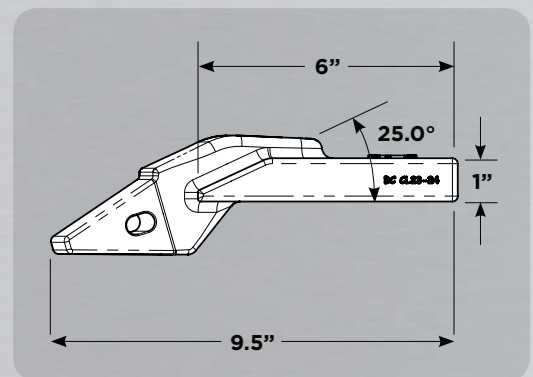
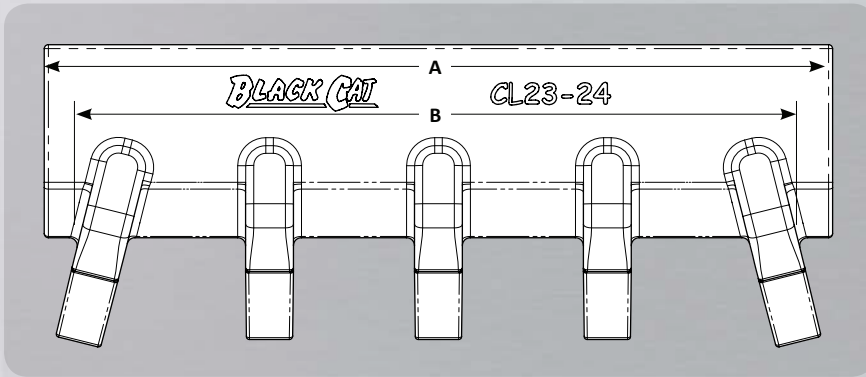
H&L[®]
BACKHOE LIPS

with Integrated 23 Series Adapters



Available in 3 Sizes

- 12" with 3 Adapters
- 18" with 4 Adapters
- 24" with 5 Adapters



Bucket Width	Part Number	No. of Adapters	Weight	Dimension A	Dimension B
12 Inch	CL23-12	3	27.5 lbs	12.625"	10.688"
18 Inch	CL23-18	4	38.0 lbs	18.500"	15.625"
24 Inch	CL23-24	5	52.0 lbs	24.500"	22.313"

210.0816

TEETH & ADAPTERS



www.BlackCatWearParts.com sales@blackcatwearparts.com Toll Free: 1.800.661.6666 Ph: 780.465.6666 Fax: 780.465.9595

Caterpillar® and other identities and/or trademarks referred to in this publication are the registered marks of the entities noted herein. The use of any trademarks of others than Black Cat Blades Ltd. are solely and exclusively for identification, informational, comparative, and descriptive purposes. Black Cat Blades Ltd. is not affiliated with any owner of such registered marks and does not make, use, or sell any products manufactured by any such entity identified in this publication.