



RV CONSTRUCTION Teeth & Adapters



Teeth

Series	RS	PP	VT	E	T	TT	F	LD	LDL
250	-	RV250PP 6 lbs	-	-	-	-	RV250F 7 lbs	-	-
300	-	RV300PP 9 lbs	-	-	-	-	RV300F 11 lbs	RV300LD 14 lbs	-
350	RV350RS 13 lbs	RV350PP 14 lbs	-	-	RV350T 13 lbs	RV350TT 15 lbs	RV350F 16 lbs	-	RV350LDL 22 lbs
400	RV400RS 20 lbs	RV400PP 20 lbs	-	RV400E 25 lbs	RV400T 18 lbs	RV400TT 24 lbs	RV400F 24 lbs	RV400LD 37 lbs	RV400LDL 32 lbs
450	RV450RS 29 lbs	RV450PP 30 lbs	-	RV450E 35 lbs	RV450T 27 lbs	RV450TT 35 lbs	RV450F 35 lbs	RV450LD 54 lbs	RV450LDL 48 lbs
550	RV550RS 48 lbs	RV550PP 50 lbs	-	RV550E 53 lbs	RV550T 43 lbs	RV550TT 54 lbs	RV550F 56 lbs	RV550LD 78 lbs	RV550LDL 66 lbs
600	RV600RS 61 lbs	-	-	RV600E 74 lbs	RV600T 58 lbs	RV600TT 73 lbs	RV600F 87 lbs	RV600LD 109 lbs	RV600LDL 90 lbs
700	RV700RS 82 lbs	-	RV700VT 99 lbs	RV700E 102 lbs	RV700T 80 lbs	RV700TT 105 lbs	-	RV700LD 149 lbs	RV700LDL 126 lbs

Adapters

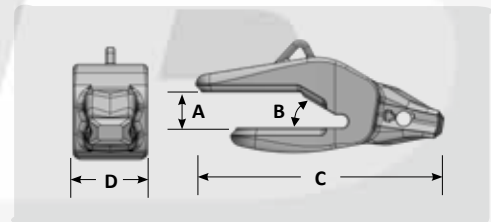
Series	Part Number	Weight	A	B	C	D	Back Shape
250	RV250-125C30	9 lbs	1.25"	30°	8.29"	2.88"	R
300	RV300-4T4307 (8E5308/09)	32 lbs	1.25"	22.5°	15.53"	4.23"	R
	RV300-125C30	13 lbs	1.25"	30°	10.38"	3.30"	R
	RV300-150C30	13 lbs	1.50"	30°	10.38"	3.30"	R
350	RV350-3G3357 (8E5358/59)	49 lbs	1.50"	22.5°	16.70"	5.00"	R
	RV350-150C22 (L/R)	22 lbs	1.50"	22.5°	12.21"	3.88"	S
	RV350-150C30	21 lbs	1.50"	30°	12.21"	3.88"	R
	RV350-157C22	23 lbs	1.57"	22.5°	12.21"	3.88"	S
400	RV350-175C30	20 lbs	1.75"	30°	12.21"	3.88"	R
	RV400-150C30SB	35.5 lbs	1.50"	30°	14.00"	4.50"	S
	RV400-619898 (6I8243/44)	56 lbs	1.75"	22.5°	17.98"	5.19"	R
	RV400-175C22 (L/R)	34 lbs	1.75"	22.5°	14.00"	4.50"	S
	RV400-175C30	32 lbs	1.75"	30°	14.00"	4.50"	R
	RV400-200C30	31 lbs	2.00"	30°	14.00"	4.50"	R
	RV400-200C30SB (L/R)	35.5 lbs	2.00"	30°	14.00"	4.50"	S
450	RV450-200C22 (L/R)	48 lbs	2.00"	22.5°	15.91"	5.05"	S
	RV450-200C30 (SL)	47 lbs	2.00"	30°	15.91"	5.05"	R
	RV450-200C30SB (L/R) (SL)	50 lbs	2.00"	30°	15.91"	5.05"	S
	RV450-238C22	47 lbs	2.40"	22.5°	15.91"	5.05"	S
	RV450-238C30	46 lbs	2.40"	30°	15.91"	5.05"	R
550	RV450-250C30	45 lbs	2.50"	30°	16.28"	5.05"	R
	RV550-200C22 (L/R)	63 lbs	2.00"	22.5°	17.89"	5.68"	S
	RV550-250C22 (L/R) (SL)	67 lbs	2.50"	22.5°	17.89"	5.68"	S
	RV550-250C30 (SL)	67 lbs	2.50"	30°	17.89"	5.68"	R
	RV550-250C30SB (L/R) (SL)	69 lbs	2.50"	30°	17.89"	5.68"	S
600	RV550-275C30	62 lbs	2.75"	30°	17.89"	5.68"	R
	RV600-250C22 (L/R)	105 lbs	2.50"	22.5°	20.80"	6.38"	S
	RV600-250C30	110 lbs	2.50"	30°	20.80"	6.38"	S
	RV600-275C22 (L/R) (SL)	104 lbs	2.75"	22.5°	20.80"	6.38"	S
	RV600-275C30SB (L/R) (SL)	103 lbs	2.75"	30°	20.80"	6.38"	S
	RV600-300C22	103 lbs	3.00"	22.5°	20.80"	6.38"	S
	RV600-300C30	95 lbs	3.00"	30°	20.80"	6.38"	R
700	RV600-300C30SB (L/R)	99 lbs	3.00"	30°	20.80"	6.38"	S
	RV700-275C30SB (L/R) (SL)	157 lbs	2.75"	30°	23.50"	7.00"	S
	RV700-300C22 (L/R) (SL)	154 lbs	3.00"	22.5°	23.50"	7.00"	S
	RV700-300C30	147 lbs	3.00"	30°	23.50"	7.00"	R
	RV700-300C30SB (L/R) (SL)	159 lbs	3.00"	30°	23.50"	7.00"	S
	RV700-315C22 (L/R)	150 lbs	3.15"	22.5°	23.50"	7.00"	S
	RV700-350C30	150 lbs	3.50"	30°	23.50"	7.00"	S



REVOLUTION

BLACK CAT HAMMERLESS PATENTED TECHNOLOGY

- Fully Stabilized Nose & Pocket
- Hammerless Pin for Safe & Easy Installation



- (L/R) Left and Right Hand Spade Adapters Available
- (SL) Straddle Leg End Adapters Available
- (IC) Integral Corner Adapters Available
- R Round
- S Square

www.blackcatwearparts.com sales@blackcatwearparts.com Toll Free: 1.800.661.6666 T: 780.465.6666 F: 780.465.9595

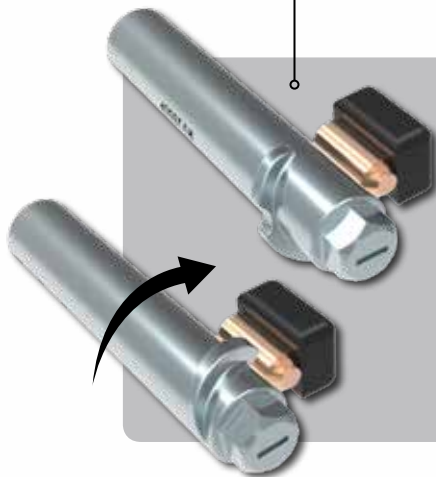
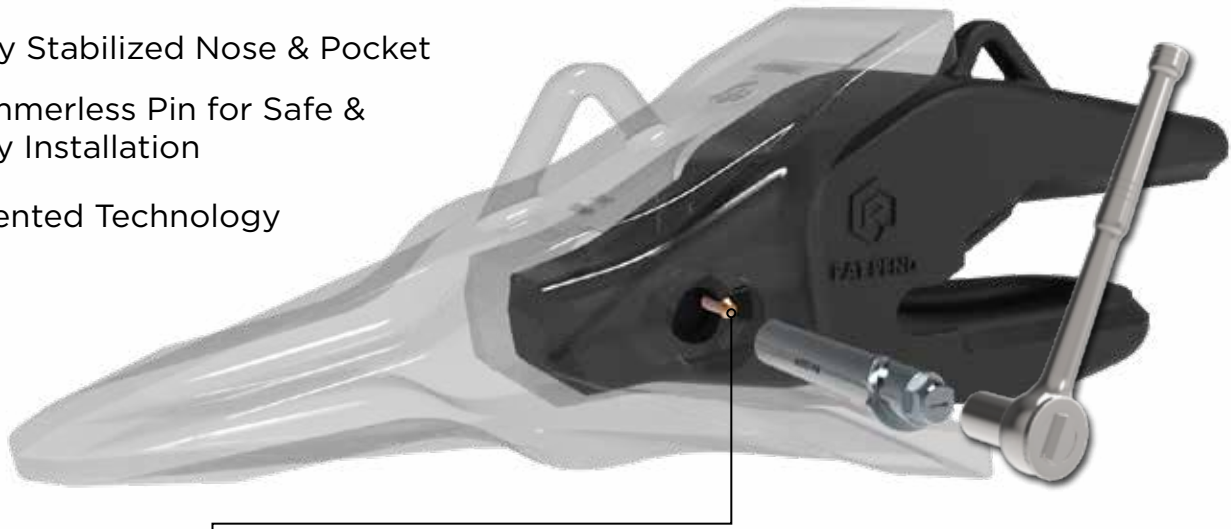
Caterpillar® and other identities and/or trademarks referred to in this publication are the registered marks of the entities noted herein. The use of any trademarks of others than Black Cat Wear Parts Ltd. are solely and exclusively for identification, informational, comparative, and descriptive purposes. Black Cat Wear Parts Ltd. is not affiliated with any owner of such registered marks and does not make, use, or sell any products manufactured by any such entity identified in this publication.

275.0722



REVOLUTION
BLACK CAT HAMMERLESS PATENTED TECHNOLOGY

- Fully Stabilized Nose & Pocket
- Hammerless Pin for Safe & Easy Installation
- Patented Technology

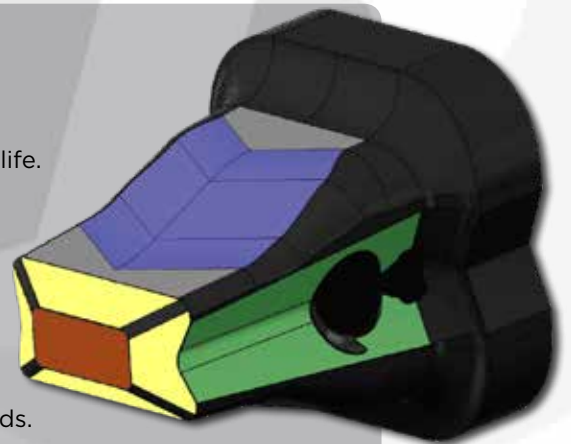


Hammerless Pin & Lock

- Fully hammerless installation & removal for safe and easy use.
- Accept both imperial or metric socket, female square drive on opposite end.
- Lock and pin may be used on either side of nose.
- Locks with 180° clockwise turn of pin with socket wrench.
- Pin removal pulls out excess material around the pin head.

Fully Stabilized Nose & Tooth Pocket

- Primary contact for frontal loads. Bottom out fit with pocket mitigates fit erosion through service life.
- Secondary contact areas for off center frontal loads. Planer bearing areas provide longer service life.
- Redundant frontal load bearing if the primary and secondary areas are worn from tooth overuse.
- Front = Primary bearing area for vertical tooth loads. Rear (opposite side) = Reactive load bearing area for vertical loads.
- V design forces the tooth to center on the nose when heavy side forces are encountered. Preventing pin loading and increases fit integrity.



www.blackcatwearparts.com sales@blackcatwearparts.com Toll Free: 1.800.661.6666 T: 780.465.6666 F: 780.465.9595

Caterpillar® and other identities and/or trademarks referred to in this publication are the registered marks of the entities noted herein. The use of any trademarks of others than Black Cat Wear Parts Ltd. are solely and exclusively for identification, informational, comparative, and descriptive purposes. Black Cat Wear Parts Ltd. is not affiliated with any owner of such registered marks and does not make, use, or sell any products manufactured by any such entity identified in this publication.

275.0722