



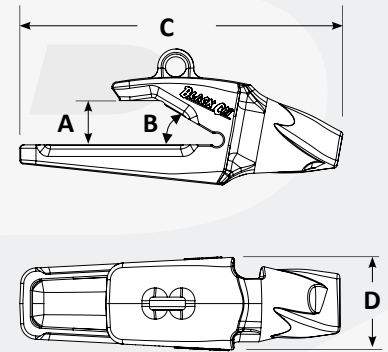
Super V[®]

for Applications on ESCO[®] Replacement



Super V[®] Adapters

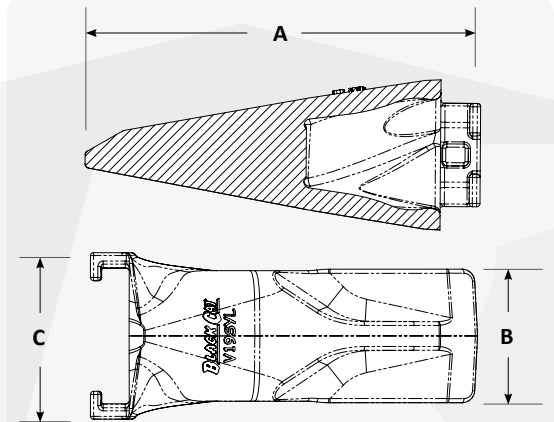
Part Number	Weight	A	B	C	D	Pin
833-V13	2.1 lbs	0.63"	30.0°	5.75"	1.91"	V17PN
8842-V13	3.0 lbs	1.00"	23.0°	6.68"	1.89"	
833-V17	3.7 lbs	0.75"	30.0°	6.89"	2.19"	
8842-V17	5.3 lbs	1.00"	23.0°	8.58"	2.11"	
833-V19	7.5 lbs	1.00"-1.25"	30.0°	8.86"	2.95"	V23PN
5854-V19	7.5 lbs	1.00"	30.0°	10.27"	2.84"	
5849-V23	12.6 lbs	1.25"	30.0°	11.50"	3.53"	V29PN
5849-V29	17.4 lbs	1.25"	30.0°	12.61"	3.50"	
5850-V29	16.8 lbs	1.50"	30.0°	12.61"	3.50"	
5855-V33	24.6 lbs	1.50"	30.0°	14.17"	3.99"	V33PN
850-V39	42.1 lbs	1.50"	30.0°	16.50"	4.13"	V39PN
5856-V39	33.8 lbs	2.00"	30.0°	15.80"	4.44"	V43PN
5856-V43	48.6 lbs	2.00"	30.0°	17.15"	5.27"	
5857-V51	61.6 lbs	2.50"	30.0°	18.77"	5.42"	V51PN
5857A-V59	76.9 lbs	2.50"	30.0°	20.30"	6.11"	V59PN
3858A-V61	118.6 lbs	2.75"	30.0°	24.77"	5.94"	V61PN
5898-V61	120.5 lbs	3.25"	30.0°	25.05"	6.05"	





Super V® Teeth

Part Number	Description	Weight	A	B	C
V13SYL	SYL	1.54 lbs	3.93"	1.85"	2.21"
V17TYL	TYL	2.5 lbs	6.02"	1.94"	2.63"
V19SYL	SYL	4.9 lbs	7.24"	2.50"	3.11"
V23SYL	SYL	7.2 lbs	8.18"	3.01"	3.98"
V23S5F	Flare	8.8 lbs	8.20"	4.97"	3.58"
V23VY	Tiger	6.2 lbs	8.49"	-	3.58"
V23TVY	Twin	7.4 lbs	8.72"	3.53"	3.58"
V29S6F	Flare	13.0 lbs	10.12"	6.03"	3.78"
V29SYL	SYL	10.2 lbs	9.37"	3.54"	3.78"
V29VY	Tiger	8.5 lbs	10.56"	-	3.76"
V29TVY	Twin	9.9 lbs	10.43"	4.21"	3.78"
V33E	Extra	18.0 lbs	12.00"	-	4.26"
V33S7F	Flare	19.2 lbs	11.22"	7.06"	4.26"
V33SDX	Heavy Chisel	15.9 lbs	9.29"	2.61"	4.81"
V33SYL	SYL	15.0 lbs	10.35"	4.01"	4.26"
V33VY	Tiger	11.9 lbs	11.52"	-	4.26"
V33TVY	Twin	13.9 lbs	11.50"	4.68"	4.26"
V39S8F	Flare	28.4 lbs	12.34"	8.03"	4.76"
V39SDX	Heavy Chisel	22.7 lbs	10.49"	3.18"	5.34"
V39SYL	SYL	21.0 lbs	11.52"	4.57"	4.80"
V39VY	Tiger	17.2 lbs	13.03"	-	4.81"
V39TVY	Twin	19.6 lbs	12.97"	5.08"	4.80"
V43E	Extra	34.0 lbs	14.80"	-	5.34"
V43S9F	Flare	39.4 lbs	13.86"	9.02"	5.32"
V43SDX	Heavy Chisel	32.0 lbs	13.02"	-	5.90"
V43SYL	SYL	28.2 lbs	12.72"	5.02"	5.34"
V43VY	Tiger	24.0 lbs	14.27"	-	5.34"
V43TVY	Twin	28.0 lbs	14.31"	5.67"	5.35"
V51S10F	Flare	49.7 lbs	15.36"	10.07"	5.87"
V51SYL	SYL	35.2 lbs	13.69"	5.49"	5.91"
V51TVYH	Twin	37.5 lbs	14.28"	6.22"	6.03"
V51SDX	Heavy Chisel	39.9 lbs	14.41"	3.74"	6.39"
V59SYL	SYL	44.9 lbs	13.93"	6.14"	6.80"
V61AG	Loader	76.3 lbs	16.76"	7.81"	6.88"
V69RYL	RYL	79.4 lbs	16.45"	6.81"	8.35"
V61SYL	SYL	53.8 lbs	15.96"	6.59"	6.59"
V61SD	Chisel	61.18 lbs	16.86"	3.70"	6.92"
V69SD	Chisel	82.67 lbs	18.67"	4.14"	8.33"
V71ADHL	Loader	189.6 lbs	21.11"	6.30"	9.00"
V81SD	Chisel	169.8 lbs	22.50"	4.75"	11.00"
V81VX	Tiger	158.3 lbs	25.13"	1.75"	11.00"



www.blackcatwearparts.com sales@blackcatwearparts.com Toll Free: 1.800.661.6666 T: 780.465.6666 F: 780.465.9595

Black Cat Wear Parts Ltd. produces after market replacement products designed to work with specific third party wear part systems. Reference to ESCO, Super V, SV2 and other third party trademarks referred to in this publication are for informational, comparative, and descriptive purposes only. Black Cat Wear Parts Ltd. does not claim any ownership in or license to use any third party trademarks referred to in this publication and is not affiliated with, nor does it make, use or sell any products manufactured by any owner of such trademarks.

227.1023